

OPERATING INSTRUCTIONS FOR YOUR

**Cobra**<sup>®</sup>  
40 CHANNEL

**CITIZENS BAND  
SSB/AM 2-WAY  
MOBILE RADIO**

**Model 148 GTL**



**Nothing comes close to a Cobra<sup>™</sup>**

Serial No. \_\_\_\_\_  
 Date of Purchase \_\_\_\_\_  
 Dealer Name \_\_\_\_\_

Keep this manual for detailed information about your Cobra CB Radio System.

**SAVE YOUR SALES RECEIPT, THE CARTON AND "PACKING" FOR POSSIBLE FUTURE USE.**



The Cobra® line of quality products includes:

- CB radios
- microTALK® radios
- Radar/Laser Detectors
- GPS
- Safety Alert®
- Traffic Warning Systems
- Accessories
- HighGear™ Accessories

## How To Use Your



# 40-CHANNEL, CITIZENS BAND SSB/AM 2-WAY MOBILE RADIO Model 148 GTL

Contents	Page
<b>Section I: Introduction</b> .....	2
<b>Section II: Specifications</b> .....	3, 4
<b>Section III: Installation</b> .....	5, 6, 7, 8
<b>Section IV: Operation</b> .....	9-17
Controls and Indicators .....	9
A.Control Functions.....	9, 10, 11
B.Indicator Functions .....	12
Operating Procedure to Receive .....	12
Operating Procedure to Transmit .....	13
Receiving SSB Signals .....	13, 14
Alternate Microphones and Installation .....	15, 16, 17
<b>Section V: Maintenance and Adjustment</b> .....	18-21
<b>Section VI: Appendix</b> .....	19, 20, 21
Ten Code .....	19
A few Rules That Should Be Obeyed .....	20
How Your CB Can Serve You .....	20
Use Channel 9 for Emergency Messages Only .....	21

**If You Think You Need Service,**  
 please contact your local dealer.

## Section I Introduction

### FREQUENCY RANGE

The COBRA 148GTL transceiver represents one of the most advanced SSB/AM two-way radios ever designed for use as a Class D station in the Citizens Radio Service. This unit features advanced Phase Lock Loop (PLL) circuitry, which is used in the AM mode and in the upper and lower single sideband modes, providing complete coverage of all 40 channels shown below.

Channel	Channel Frequency in MHz	Channel	Channel Frequency in MHz
1	26.965	21	27.215
2	26.975	22	27.225
3	26.985	23	27.255
4	27.005	24	27.235
5	27.015	25	27.245
6	27.025	26	27.265
7	27.035	27	27.275
8	27.055	28	27.285
9	27.065	29	27.295
10	27.075	30	27.305
11	27.085	31	27.315
12	27.105	32	27.325
13	27.115	33	27.335
14	27.125	34	27.345
15	27.135	35	27.355
16	27.155	36	27.365
17	27.165	37	27.375
18	27.175	38	27.385
19	27.185	39	27.395
20	27.205	40	27.405

The COBRA 148GTL has a vastly superior receiver which includes an RF gain control and noise blanker circuitry effective in both AM and SSB modes., and an automatic noise limiter effective in the AM mode. The receiver also features increased protection against cross modulation and strong adjacent channel signals.

**To obtain maximum performance please read carefully the descriptions and operating instructions in this manual.**

## Section II Specifications

### GENERAL

Channels	40 AM, 40 LSB, 40 USB.
Frequency Range	26.965 to 27.405 MHz.
Frequency Control	Phase Lock Loop (PLL) synthesizer.
Frequency Tolerance	0.005%.
Frequency Stability	0.001%.
Operating Temperature Range	-22° F to +122° F (-30° C to +50° C).
Microphone	Plug-in dynamic; with push-to-talk switch and coiled cord.
Input Voltage	13.8V DC nominal, 15.9V max., 11.7V min. (positive or negative ground).
Current Drain	<i>Transmit:</i> AM full mod., 2.2A. SSB 12 watts PEP output, 2A. <i>Receive:</i> Squelched, 0.25A Maximum audio output, 0.6A.
Size	2 3/8"(H) x 7 7/8"(W) x 9 1/4"(D). (6 cm (H) x 20 cm (W) x 23.5 cm (D)).
Weight	5 lbs. (2.27 kg).
Antenna Conductor	UHF, S0239.
Semiconductors	3 field effect transistors, 45 transistors, 63 diodes, 6 integrated circuits, 1 two color light emitting diode.
Meter (3-in-1)	Illuminated; indicates relative output power, received signal strength, and SWR.

### TRANSMITTER

Power Output	AM, 4 watts. SSB, 12 watts, PEP.
Modulation	High-and low-level Class B, Amplitude Modulation.
Intermodulation Distortion	SSB: 3rd order, more than -25 dB. 5th order, more than -35 dB.
SSB Carrier Suppression	55 dB.
Unwanted Sideband	50 dB.
Frequency Response	AM and SSB; 300 to 2500 Hz.
Output Impedance	50 ohms, unbalanced.
Output Indicators	Meter shows relative RF output power and SWR. Transmit LED glows red when transmitter is in operation.

## Section II Specifications (Cont.)

### RECEIVER

Sensitivity	SSB: 0.25 $\mu$ V for 10dB (S+N)/N at greater than 1/2-watt of audio output. AM: 0.5 $\mu$ V for 10 dB (S+N)/ at greater than 1/2-watt of audio output.
Selectivity	AM: 6dB @ 3 KHz, 50 dB @ 9 KHz. SSB: 6 dB @ 1.1 KHz, 60 dB @ 2.3 KHz.
Image Rejection	More than 65 dB.
IF Frequency	AM: 7.8 MHz 1st IF, 455 KHz 2nd IF. SSB: 7.8 MHz.
Adjacent-Channel Rejection	60 dB AM & 70 dB SSB.
AM and SSB RF Gain Control	40 dB adjustable for optimum signal reception.
Automatic Gain Control (AGC)	Less than 10 dB change in audio output for inputs from 10 to 100,000 microvolts.
Squelch	Adjustable; threshold less than 0.25 $\mu$ V.
ANL	Switchable.
Noise Blanker	RF type, effective on AM and SSB.
Voice Lock Range	$\pm$ 2.5 KHz.
Audio Output Power	4 watts into 8 ohms.
Frequency Response	300 to 2500 Hz.
Built-in Speaker	4 ohms, round.
External Speaker (Not Supplied)	8 ohms; disables internal speaker when connected.

### PA SYSTEM

Power Output	4 watts into external speaker.
External Speaker for PA (Not Supplied)	8 ohms.

(SPECIFICATIONS SUBJECT TO CHANGE WITHOUT NOTICE)

## Section III Installation

### LOCATION

Plan the location of the transceiver and microphone bracket before starting the installation. Select a location that is convenient for operation and does not interfere with the driver or passengers in the vehicle. In automobiles, the transceiver is usually mounted below the dash panel, with the microphone bracket beside it.

### MOUNTING THE CONNECTION

The COBRA 148GTL is supplied with a universal mounting bracket. When mounting the bracket and radio to your car, make sure it is mechanically strong. Also provide a good electrical connection to the chassis of the vehicle. Proceed as follows to mount the transceiver:

1. After you have determined the most convenient location in your vehicle, hold the COBRA 148GTL with mounting bracket in the exact location desired. If nothing will interfere with mounting it in the desired position, remove the mounting bolts. Before drilling the holes, make sure nothing will interfere with the installation of the mounting bolts.
2. Connect the antenna cable plug to the standard receptacle on the rear panel. Most CB antennas are terminated with a type PL-259 plug and mate with the receptacle.
3. Connect the red DC power input wire (with the fuse) to +13.8V DC. This wire extends from the rear panel. In automobile installation, +13.8V DC is usually obtained from the accessory contact on the ignition switch. This prevents the set being left on accidentally when the driver leaves the car and also permits operating the unit without the engine running. Locate the accessory contact on most ignition switches by tracing the power wire from the AM broadcast receiver in the car.
4. Connect the black lead to -13.8V DC. This is usually the chassis of the car. Any convenient location with good electrical contact (remove paint) may be used.
5. Mount the microphone bracket on either side of the transceiver, using the two screws supplied. When mounting in an automobile, place the bracket under the dash so the microphone is readily accessible.

## Section III Installation (Continued)

### IGNITION NOISE INTERFERENCE

Use of a mobile receiver at low signal levels is normally limited by the presence of electrical noise. The primary source of noise in automobile installations is from the generator and ignition system in the vehicle. Under most operating conditions, when signal level is adequate, the background noise does not present a serious problem. Also, when extremely low level signals are being received, the transceiver may be operated with vehicle engine turned off. The unit requires very little current and therefore will not significantly discharge the vehicle battery.

Even though the COBRA 148GTL has ANL and NB controls, in some installations ignition interference may be high enough to make good communications impossible. The electrical noise may come from several sources. Many possibilities exist and variations between vehicles require different solutions to reduce the noise. Consult your COBRA dealer or a 2-way radio technician for help in locating and correcting the source of severe noise.

### ANTENNA

Since the maximum allowable power output of the transmitter is limited by the FCC, the antenna is one important factor affecting transmission distance. Only a properly matched antenna system will allow maximum power transfer from the 50 ohm transmission line to the radiating element. In mobile installations (cars, trucks, boats, etc.), an antenna system that is non-directional should be used. A vertically polarized, quarter-wavelength whip antenna provides the most reliable operation and greatest range. Shorter, loaded-type whip antennas are more attractive, compact and adequate for applications where the maximum possible distance is not required. Also, the loaded whips do not present the problems of height imposed by a full quarter-wavelength whip.

Mobile whip antennas utilize the metal body of the vehicle as a ground plane. When mounted at a corner of the vehicle they are slightly directional, in the direction of the body of the vehicle. For all practical purposes, however, the radiation pattern is nondirectional. The slight directional characteristic will be observed only at extreme distances. A standard antenna connector (type SO239) is provided on the transceiver for easy connection to a standard PL 259 cable termination.

If the transceiver is not mounted on a metal surface, it is necessary to run a separate ground wire from the unit to a good metal electrical ground in the vehicle. When installed in a boat, the transceiver will not operate at maximum efficiency without a ground plate, unless the vessel has a steel hull.

Before installing the transceiver in a boat, consult your dealer for information regarding an adequate grounding system and prevention of electrolysis between fittings in the hull and water.

## Section III Installation (Continued)

### TUNING THE ANTENNA FOR OPTIMUM SWR

Since there is such a wide variety of base and mobile antennas, this section will strictly concern itself to the various types of mobile adjustable antennas. Because antenna length is directly related to the channel frequency, it must be tuned to resonate optimally all 40 channels of the transceiver. Channel 1 requires a longer antenna than Channel 40 because it is a lower frequency.

Due to the various methods of adjusting antennas for proper SWR we have chosen what we think is the optimum method:

#### A. Antennas with adjustable screws (set screws)

1. Start with the antenna extended and tighten the set screw lightly enough so that the antenna can be lightly tapped with your finger for easy adjustment.
2. Set your COBRA 148GTL to Channel 21. Press the PTT (Push-to-Talk) switch, and tap the antenna (making it shorter). The SWR meter will show a lower reading each time the antenna is tapped. By continuing to shorten the antenna you will notice the SWR reading will reach a low point and then start rising again. This means that you have passed the optimum point for Channel 21. Extend the antenna a short distance and again follow the procedure above.

When the lowest point has been reached, switch to Channel 1 and then to Channel 40 and compare SWR readings. They should be almost equal.

#### B. Antennas which must be cut to proper length

1. Follow the same procedure as above, but adjust the length by cutting in 1/8" increments until a good match is obtained.
2. *Be very careful not to cut too much at one time, as once it is cut, it can no longer be lengthed.*
3. The whip is easily cut by filing a notch all the way around and breaking the piece off with a pliers.

#### NOTE

**THE PROPER SETTING IS ACHIEVED WHEN THE SWR IS 1.5 OR BELOW, AND WHEN IT HAS THE SAME READING FOR CHANNELS 1 AND 40.**

If you are having difficulties in adjusting your antenna, check the following:

- A. All doors must be closed when adjusting the antenna.
- B. Make sure the antenna base is grounded.
- C. Check your coaxial cable routing (it may be pinched when routed into the car).

## Section III Installation (Continued)

- D. Try a different location on your car (keeping in mind the radiation pattern you wish).
- E. Is the antenna perfectly vertical?
- F. Try a different location in your neighborhood. Stay away from large metal objects when adjusting (metal telephone or light posts, fences, etc.).

### NOTE

The COBRA 148GTL will operate into an SWR of 2 to 1 indefinitely and sustain an SWR of 20:1 for a maximum of 5 minutes at rated operating conditions.

### EXTERNAL SPEAKER

The external speaker jack (EXT SPK) on the rear panel is used for remote receiver monitoring. The external speaker should have 8 ohms impedance and be able to handle at least 4 watts. When the external speaker is plugged in, the internal speaker is disconnected.

### PUBLIC ADDRESS

To use the transceiver as a public address system connect an external 8 ohm speaker (4 watts minimum) to the PA SPK jack located on the rear panel. Direct speaker away from the microphone to prevent acoustic feedback. Physical separation or isolation of the microphone and speaker is important when operating the PA at high output levels.

## Section IV Operation

### CONTROLS AND INDICATORS

There are thirteen controls and three indicators on the front panel of your COBRA 148GTL.



### A. CONTROL FUNCTIONS

1. **OFF/ON/VOLUME (inner dual concentric).** Turn clockwise to apply power to the unit and to set the desired listening level. During normal CB operation, the Volume control is used to adjust the output level obtained either at the transceiver speaker or the external speaker, if used.
2. **SQUELCH (outer dual concentric).** This control is used to cut off or eliminate receiver background noise in the absence of an incoming signal. For maximum receiver sensitivity it is desired that the control be adjusted only to the point where the receiver background noise or ambient background noise is eliminated. Turn fully counterclockwise then slowly clockwise until the receiver noise disappears. Any signal to be received must now be slightly stronger than the average received noise. Further clockwise rotation will increase the threshold level which a signal must overcome in order to be heard. Only strong signals will be heard at a maximum clockwise setting.
3. **RF GAIN CONTROL (inner dual concentric).** Used to reduce the gain of the RF amplifier under strong signal conditions.

## Section IV Operation (Continued)

4. **SWR CAL CONTROL (outer dual concentric).** In order for you to achieve maximum radiated power and the longest range, it is important that your antenna be in good condition, properly adjusted and matched to your transceiver. The Built-in SWR (standing wave ratio) meter lets you easily measure your antenna condition. To operate this function, connect your antenna to the transceiver antenna output connector. Select a channel near the middle of the band such as 21 or the channel you plan to use most frequently. Turn the power on and set the meter function switch to the CAL position. Press and hold the microphone push-to-talk button and using the SWR CAL control, adjust the meter to read the CAL position indicated on the meter face. Then, without releasing the microphone button, switch the meter function switch to the SWR position and read the SWR indicated. The lower the figure, the better, with 1 being ideal. Generally speaking, readings up to 3 are acceptable, but over 3 indicates that you are losing radiated power and antenna adjustment may be advisable.
5. **DYNAMIKE.** Adjusts the microphone gain in the transmit and PA modes. This controls the gain to the extent that full talk power is available several inches away from the microphone. In the Public Address (PA) mode the control functions as the volume control.
6. **VOICE LOCK.** Allows variation of the receiver operating frequencies above and below the assigned frequency. Although this control is intended primarily to tune in SSB signals, it may also be used to optimize AM signals as described in the Operating Procedure paragraphs.
7. **DIM/NOR/BRT SWITCH.** Controls the brightness of the meter and LED channel indicator for optimum intensity for day or night-time driving.
8. **CHANNEL SELECTOR.** This switch selects any one of the forty Citizens Band channels desired. The selected channel appears on the LED readout directly above the Channel Selector knob. Channel 9 has been reserved by the FCC for emergency communications involving the immediate safety of life of individuals or immediate protection of property. Channel 9 may also be used to render assistance to a motorist.
9. **OFF/ANL/NB + ANL SWITCH.** In the ANL position only the automatic noise limiter in the audio circuits is activated. When the switch is placed in the ANL + NB position, the RF noise blanker also is activated. The RF noise blanker is very effective for repetitive impulse noise such as ignition interference.

## Section IV Operation (Continued)

10. **PA/CB SWITCH.** Selects the mode of operation. In the CB position, the PA function is disabled and the unit will transmit and receive on the speaker that is connected. In the PA mode, incoming CB transmission will be heard through the PA speaker. This allows you to monitor messages while outside of your vehicle. To use the PA feature, a speaker having a voice coil impedance of 8 ohms and a power handling capability of at least three watts should be used. This speaker must be plugged into the PA SPKR jack at the rear of the transceiver. If the public address feature is to be used primarily for outdoor applications, the use of a weatherproof horn type public address speaker is recommended. The durability of this type speaker plus the inherent efficiency of such a speaker will provide more than adequate results when combined with the high audio output level available from the COBRA 148GTL. With the PA speaker connected as outlined previously, be sure that there is physical separation between the microphone and the speaker itself. If the speaker is located too close to the microphone, acoustic feedback will result when the public address system is operated at high volume. A directional type outdoor speaker reduces the amount of isolation required. Some experimentation will determine the minimum amount of isolation required for a given sound level from the public address system.

### NOTE

**PA volume is controlled by adjusting the DYNAMIKE knob to the desired volume.**

11. **S-RF/CAL/SWR SWITCH.** When in the S-RF position, the meter swings proportionally to the strength of the received signal. When transmitting, the meter indicates relative RF output power.  
  
When in the "CAL" position, the SWR meter can be calibrated by adjusting the "SWR" control to the "CAL" mark on the meter face.  
  
When in "SWR" position, the standing wave ratio is measured.
12. **MODE (LSB/AM/USB) SWITCH.** This switch is used to select AM, LSB or USB mode of operation. Unless the station with which communication is desired is equipped with SSB, the AM mode is normally used. The mode selector switch changes the mode of operation of both transmitter and receiver simultaneously. Turn to "Receiving SSB signals" for a further explanation of single sideband.
13. **TONE SWITCH-HI/NOR/LOW.** This switch is used to shape the audio response to the operator's preference. Bass is increased in the LOW position and treble is increased in the HI position.

## Section IV Operation (Continued)

### B. INDICATOR FUNCTIONS

1. **S-METER.** Swings proportionally to the strength of the incoming signal.
2. **RF METER.** Swings proportionally to the RF output power.
3. **SWR METER.** Swings proportionally to the ratio of standing wave voltage and RF output. Used to properly adjust the length of the antenna, and to monitor the quality of the coaxial cable and all RF electrical connections. If there is any degradation whatsoever in any of the above, due to humidity, salt, spray, vibration or corrosion, the SWR meter reading will rise, thereby indicating that a problem exists.  
To calibrate, switch to the "CAL" position, transmit in AM Mode by pressing the (PTT) mic switch, and adjust the SWR control to the "CAL" mark on the meter then switch to "SWR" position for the SWR measurement (Note: CB must be in AM mode).
4. **CHANNEL INDICATOR.** Numbered LED indicates the selected channel you wish to operate on.
5. **RECEIVE/TRANSMIT INDICATOR.** The receiver/transmit LED indicator is located next to the channel indicator. When in receive, the LED will be green. When in transmit the LED will be red.
6. **PRESS-TO-TALK MICROPHONE.** The receiver and transmitter are controlled by the Press-To-Talk switch on the microphone. Press the switch and the transmitter is activated, release the switch to receive. When transmitting, hold the microphone two inches from the mouth and speak clearly in a normal "voice". The radio comes complete with low-impedance (500 ohm) dynamic microphone. For installation instructions on the other microphones see ALTERNATE MICROPHONES AND INSTALLATION section.

### OPERATING PROCEDURE TO RECEIVE

1. Be sure that the power source, microphone and antenna are connected to the proper connectors before going to the next step.
2. Set PA-CB Switch to the CB position and turn unit on by turning VOL control clockwise on COBRA 148GTL.
3. Set the VOLUME for a comfortable listening level.
4. Set MODE switch to the desired mode.
5. Set the RF gain control fully clockwise for maximum RF gain.
6. Listen to the background noise from the speaker. Turn the SQUELCH control slowly clockwise until the noise JUST disappears (no signal should be present). Leave the control at this setting. The SQUELCH is now properly adjusted. The receiver will remain quiet until a signal is actually received. Do not advance the control too far, or some of the weaker signals will not be heard.

## Section IV Operation (Continued)

7. Set the CHANNEL selector switch to the desired channel.
8. Adjust the VOICE LOCK control to clarify the SSB signals or to optimize AM signals.

### OPERATING PROCEDURE TO TRANSMIT

1. Select the desired channel of transmission.
2. Set the DYNAMIKE control fully clockwise.
3. If the channel is clear, depress the Push-To-Talk switch on the microphone and speak in a normal voice.

### RECEIVING SSB SIGNALS

There are three types of signals presently used for communications in the Citizens Band: AM, USB, and LSB. When the MODE switch on your unit is placed in the AM position, only standard double-sideband, full carrier signals will be detected. An SSB signal may be recognized while in the AM mode by its characteristic "Donald Duck" sound and the inability of the AM detector to produce an intelligible output. The USB and LSB modes will detect upper sideband and lower sideband respectively, and standard AM signals.

SSB reception differs from standard AM reception in that SSB receiver does not require a carrier or opposite sideband to produce an intelligible signal. A single-sideband transmitted signal consists only of the upper or the lower sideband and no carrier is transmitted. The elimination of the carrier from the AM signal helps to eliminate the biggest cause of whistles and tones heard on channels which make even moderately strong AM signals unreadable. Also, SSB takes only half of an AM channel, therefore two SSB conversations will fit into each channel expanding the 40 AM channels to 80 SSB channels. The reduction in channel space required also helps in the receiver because only half of the noise and interference can be received with 100% of the SSB signal.

An SSB signal may be received only when the listening receiver is functioning in the same mode. In other words, an upper sideband signal (USB) may be made intelligible only if the receiver is functioning in the USB position.

If a lower sideband (LSB) signal is heard when the receiver is in the USB mode, no amount of tuning will make the signal intelligible. The reason for this may be understood if you consider that when the modulation is applied to the transmitter's microphone in the USB mode, the transmitter's output frequency is increased whereas in the LSB mode the transmitter's output frequency is decreased. The result in listening to the receiver is that when the MODE switch is in the proper position (either USB or LSB), a true reproduction of single tone of modulation will result, and if the tone is increased in frequency (such as a low-



## Section IV Operation (Continued)

pitched whistle or a high-pitched whistle) you will hear the increase in the output tone of the receiver. If the incorrect mode is selected, an increase in tone of a whistle applied to the transmitter will cause a decrease in the resultant tone from the receiver.

Thus when a voice is used in place of a whistle or tone, in the proper listening mode the voice will be received correctly whereas in the incorrect mode, the voice will be translated backwards and cannot be made intelligible by the voice lock control. When listening to an AM transmission, a correct sideband is heard in either mode since both upper and lower sideband are received.

Once the desired SSB mode has been selected, frequency adjustment may be necessary in order to make the incoming signal intelligible, the VOICE LOCK control allows the operator to vary frequency above and below the exact-center frequency of the received signal. If the sound of the incoming signal is high or low pitched, adjust the operation of the VOICE LOCK. Consider it as performing the same function as a phonograph speed control. When the speed is set too high, voices will be high-pitched and if set too low, voices will be low-pitched. Also, there is only *one* correct speed that will make a particular record produce the same sound that was recorded. If the record is played on a turntable that rotates in the wrong direction (opposite sideband) no amount of speed control (VOICE LOCK) will produce an intelligible sound.

An AM signal received while listening in one of the SSB modes will produce a steady tone (carrier) in addition to the intelligence, unless the SSB receiver is tuned to exactly the same frequency by the VOICE LOCK control. For simplicity it is recommended that the AM modes be used to listen to AM signals.

## Section IV Operation (Continued)

### ALTERNATE MICROPHONES AND INSTALLATION

For best results, the user should select a low-impedance dynamic type microphone or a transistorized microphone. Transistorized type microphones have a low output impedance characteristic. The microphones must be provided with a 4-lead cable. The audio conductor and its shielded lead comprise two of the leads. The third lead is for receive control, the fourth is for transmit control.

The microphone should provide the functions shown in schematic below:

#### 4 WIRE MIC CABLE

Pin Number	Mic Cable Lead
1	Grounding
2	Audio Lead
3	Transmit Control
4	Receive Control

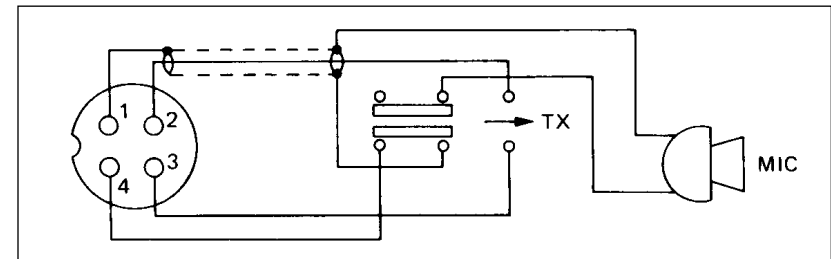


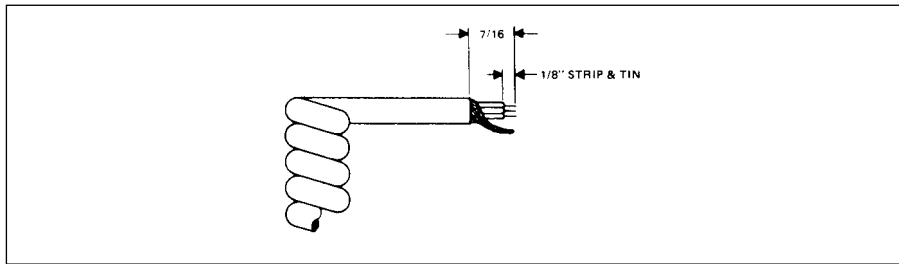
Fig. 1. Cobra 148GTL microphone schematic.

If the microphone to be used is provided with pre-cut leads, they must be revised as follows:

1. Cut leads so that they extend 7/16" (11 mm) beyond the plastic insulating jacket of the microphone cable (see Fig. 2.)
2. All leads should be cut to the same length. Strip the ends of each wire 1/8" (2 mm) and tin the exposed wire.

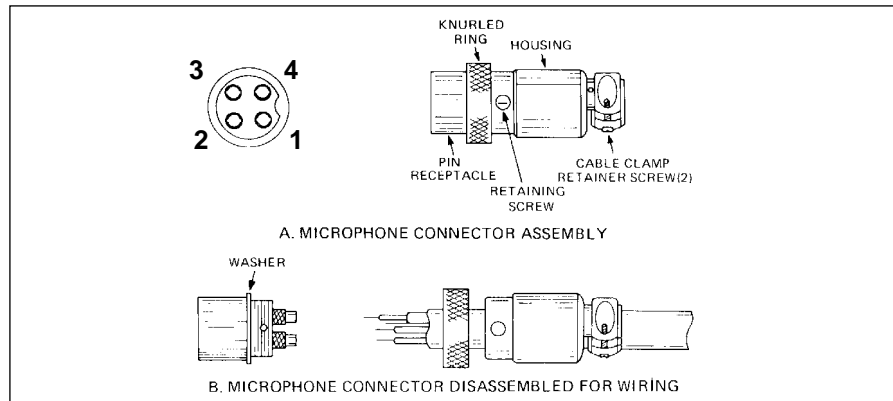
Before beginning the actual wiring, read carefully, the circuit and wiring information provided with the microphone you select. Use the minimum heat required in soldering the connections. Keep the exposed wire lengths to a minimum to avoid shorting when the microphone plug is reassembled.

## Section IV Operation (Continued)



**Fig. 2.** Microphone Cable Preparation.

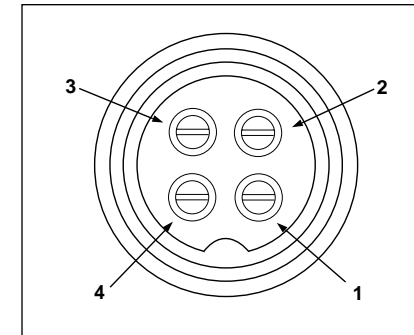
To wire the microphone cable to the plug provided, proceed as follows:



**Fig. 3.** Microphone plug wiring.

1. Remove the retaining screw.
2. Unscrew the housing from the pin receptacle body.
3. Loosen the two cable clamp retainer screws.
4. Feed the microphone cable through the housing, knurled ring and washer as shown Fig. 3B.
5. The wires must now be soldered to the pins as indicated in the above wiring tables. If a vise or clamping tool is available it should be used to hold the pin receptacle body during the soldering operation, so that both hands are free to perform the soldering. If a vise or clamping tool is not available, the pin receptacle body can be held in a stationary position by inserting it into the microphone jack on the front panel. The numbers of the pins of the microphone plug are shown in Fig 4, as viewed from the back of the plug. Before soldering the wire to the pins, pre-tin the wire receptacle of each pin of the plug.

## Section IV Operation (Continued)



**Fig. 4.** Microphone plug pin numbers viewed from rear of pin receptacle.

Be sure that the housing and the knurled ring of Fig. 3 are pushed back onto the microphone cable before starting to solder. If the washer is not captive to the pin receptacle body, make sure that it is placed on the threaded portion of the pin receptacle body before soldering.

If the microphone jack is used to hold the pin receptacle during soldering operation, best results are obtained when the connections to pins 1 and 3 are made first and then the connections to pins 2 and 4. Use a minimum amount of solder and be careful to prevent excessive solder accumulation on pins, which could cause a short between the pin and the microphone plug housing.

6. When all soldering connections to the pins of the microphone are complete, push the knurled ring and the housing forward and screw the housing onto the threaded portion of the pin receptacle body. Note the location of the screw clearance hole in the plug housing with respect to the threaded hole in the pin receptacle body. When the housing is completely threaded into the pin receptacle body, a final fraction of a turn either clockwise or counterclockwise may be required to align the screw hole with the threaded hole in the pin receptacle body. When these are aligned, the retaining screw is then screwed into place to secure the housing to the pin receptacle body.
7. The two cable clamp retainer screws should now be tightened to secure the housing to the microphone cord. If the cutting directions have been carefully followed, the cable clamp should secure to the insulation jacket of the microphone cable.
8. Upon completion of the microphone plug wiring, connect and secure the microphone plug in the transceiver.

## Section V Maintenance and Adjustment

The COBRA 148GTL transceiver is specifically designed for the environment encountered in mobile installations. The use of all solid state circuitry and its light weight result in high reliability. Should a failure occur, however, replace parts only with identical parts. Do not substitute. Refer to the schematic diagram and parts list.

### NOTE

**If the performance described in the OPERATION and MAINTENANCE AND ADJUSTMENT sections is not obtained, review the operating instructions to insure that proper procedures were followed. If a problem still exists, please contact your local dealer.**

## Section VI Appendix

Citizens Band radio operators have largely adopted the "10-code" for standard questions and answers. Its use permits faster communications and better understanding in noisy areas. The following table lists some of the more common codes and their meanings:

### 10-CODE

Code	Meaning	Code	Meaning
10-1	Receiving poorly	10-37	Wrecker needed at
10-2	Receiving well	10-38	Ambulance needed at
10-3	Stop transmitting	10-39	Your message delivered
10-4	OK, message received	10-41	Please turn to channel
10-5	Relay message	10-42	Traffic accident at
10-6	Busy, stand by	10-43	Traffic Tie up at
10-7	Out of service, leaving air	10-44	I have a message for you
10-8	In service, subject to call	10-45	All units within range please report
10-9	Repeat message	10-50	Break channel
10-10	Transmission completed, standing by	10-60	What is the next message number?
10-11	Talking too rapidly	10-62	Unable to copy, use phone
10-12	Visitors present	10-63	Net directed to
10-13	Advise Weather/Road conditions	10-64	Net clear
10-16	Make pick up at	10-65	Awaiting your next message/assignment
10-17	Urgent business	10-67	All units copy
10-18	Anything for us?	10-70	Fire at
10-19	Nothing for you, return to base	10-71	Proceed with transmission in sequence
10-20	My location is	10-77	Negative contact
10-21	Call by telephone	10-81	Reserve hotel room for
10-22	Report in person to	10-82	Reserve room for
10-23	Stand by	10-84	My telephone number is
10-24	Completed last assignment	10-85	My address is
10-25	Can you contact	10-91	Talk closer to mike
10-26	Disregard last information	10-93	Check my frequency on this channel
10-27	I am moving to channel	10-94	Please give me a long count
10-28	Identify your station	10-99	Mission completed, all units secure
10-29	Time is up for contact	10-200	Police needed at
10-30	Does not conform to FCC rules		
10-32	I will give you a radio check		
10-33	EMERGENCY TRAFFIC		
10-34	Trouble at this station		
10-35	Confidential information		
10-36	Correct time is		

## Section VI Appendix (Continued)

### A FEW RULES THAT SHOULD BE OBEYED

1. You are not allowed to carry on a conversation with another station for more than five minutes at a time without taking a one-minute break, to give others a chance to use the channel.
2. You are not allowed to blast others off the air by over-powering them with illegally amplified transmitter power, or illegally high antennas.
3. You can't use the CB to promote illegal activities.
4. You are not allowed to use profanity.
5. You may not play music in your CB.
6. You may not use your CB to sell merchandise or professional service.

### HOW YOUR CB CAN SERVE YOU

- Warn of traffic tie ups ahead.
- Provide weather and road information.
- Provide help fast in event of emergency or breakdown.
- Suggest good spots to eat and sleep.
- Make long trips more interesting, and help keep you awake.
- Provide direct contact with your office or home.
- Make friends for you as you travel.
- Provide "local information" to find your destination.
- Help law enforcement officers by reporting drunk and reckless drivers.

## Section VI Appendix (Continued)

### USE CHANNEL 9 FOR EMERGENCY MESSAGES ONLY

FCC gives the following examples of permitted and prohibited types of communications for use on Channel 9. These are guidelines and are not intended to be all-inclusive:

#### Permitted

#### Example Message

Yes	"A tornado sighted six miles (10 km) north of town."
No	"This is observation post number 10. No tornado sighted."
Yes	"I am out of gas on Interstate 95."
No	"I am out of gas in my driveway."
Yes	There is a four-car collision at Exit 10 on the Beltway, send police and ambulance."
No	"Traffic is moving smoothly on the Beltway."
Yes	"Base to Unit 1, the Weather Bureau has just issued a thunder storm warning. Bring the sailboat into port."
No	"Attention all motorists. The Weather Bureau advises that the snow tomorrow will accumulate 4 to 6 inches (10 to 15 cm)."
Yes	"There is a fire in the building on the corner of 6th and Main Streets."
No	"This is Halloween patrol unit number 3. Everything is quiet here."

INSTRUCCIONES DE USO DEL

**Cobra**<sup>®</sup>

40 CANALES

**RADIO BIDIRECCIONAL  
MÓVIL SSB/AM DE  
BANDA CIUDADANA**

**Modelo 148 GTL**



**Nada se compara a Cobra<sup>™</sup>**

Número de serie \_\_\_\_\_

Fecha de compra \_\_\_\_\_

Nombre del distribuidor \_\_\_\_\_

Conserve este manual como referencia detallada de su sistema de radio CB Cobra.

**GUARDE EL COMPROBANTE DE VENTA, LA CAJA Y LOS MATERIALES DE EMBALAJE, YA QUE POSIBLEMENTE TENGA QUE UTILIZARLOS EN EL FUTURO.**



La línea de productos de calidad Cobra® también incluye:

Radios de banda civil (CB)

Radios microTALK®

Detectores de radar y láser

Sistemas GPS

Sistemas de advertencia de tráfico  
Safety Alert®

Accesorios

Accesorios HighGear™

## Instrucciones de uso del



# RADIO BIDIRECCIONAL MÓVIL SSB/AM DE 40 CANALES DE BANDA CIUDADANA

## Modelo 148 GTL

Índice	Página
<b>Sección I: Introducción</b> .....	2
<b>Sección II: Especificaciones</b> .....	3, 4
<b>Sección III: Instalación</b> .....	5, 6, 7, 8
<b>Sección IV: Operación</b> .....	9-17
Controles e indicadores .....	9
A. Funciones de control .....	9, 10, 11
B. Funciones de los indicadores .....	12
Procedimiento operativo para recibir .....	12
Procedimiento operativo para transmitir .....	13
Recepción de señales SSB .....	13, 14
Micrófonos alternativos e instalación .....	15, 16, 17
<b>Sección V: Mantenimiento y ajustes</b> .....	18-21
<b>Sección VI: Apéndice</b> .....	19, 20, 21
Código 10.....	19
Reglas que debe obedecer .....	20
Aplicaciones del radio CB .....	20
Utilice el canal 9 únicamente para mensajes de emergencia .....	21

**Si cree que requiere servicio,  
comuníquese con un distribuidor de su localidad.**

# Sección I Introducción

## INTERVALO DE FRECUENCIAS

El transmisor-receptor COBRA 148GTL es uno de los radios transmisores-receptores SSB/AM más avanzados que se han diseñado para usarse como estación de clase D en el servicio de radio ciudadana. Esta unidad tiene avanzados circuitos de sincronización de fase (PLL, Phase Lock Loop), que se utilizan en la modalidad AM y en las modalidades de banda lateral única (SSB) superior e inferior, permitiendo una cobertura completa de los 40 canales de la banda ciudadana que se indican a continuación.

Canal	Frecuencia del canal en MHz	Canal	Frecuencia del canal en MHz
1	26,965	21	27,215
2	26,975	22	27,225
3	26,985	23	27,255
4	27,005	24	27,235
5	27,015	25	27,245
6	27,025	26	27,265
7	27,035	27	27,275
8	27,055	28	27,285
9	27,065	29	27,295
10	27,075	30	27,305
11	27,085	31	27,315
12	27,105	32	27,325
13	27,115	33	27,335
14	27,125	34	27,345
15	27,135	35	27,355
16	27,155	36	27,365
17	27,165	37	27,375
18	27,175	38	27,385
19	27,185	39	27,395
20	27,205	40	27,405

El radio COBRA 148GTL tiene un receptor ampliamente superior, con control de ganancia de RF, un circuito de cancelación de ruido para las modalidades AM y SSB y un limitador automático de ruido para la modalidad AM. El receptor también tiene mayor protección contra modulación cruzada y señales fuertes de canales adyacentes.

**Para obtener el mejor rendimiento, sírvase leer detenidamente las descripciones y las instrucciones de uso presentadas en este manual.**

# Sección II Especificaciones

## GENERALES

Canales	40 AM, 40 LSB, 40 USB.
Intervalo de frecuencias	26,965 a 27,405 MHz.
Control de frecuencia	Sintetizador de sincronización de fase (PLL).
Tolerancia de frecuencia	0.005%.
Estabilidad de frecuencia	0.001%.
Temperatura operativa	-30° C a +50° C (-22° F a +122° F).
Micrófono	Dinámico, de conexión directa, con botón de transmisión y cordón en espiral.
Voltaje de entrada	13,8 VCC nominales, 15,9 V máx., 11,7 V mín. (tierra positiva o negativa).
Consumo de corriente	<i>Transmisión:</i> AM modulación completa, 2,2 A. SSB 12 W de potencia de cresta (PEP) de salida, 2A. <i>Recepción:</i> Con reducción automática de ruido de fondo, 0,25 A Salida sonora máxima, 0,6 A.
Tamaño	6 cm (2 3/8") de altura x 20 cm (7 7/8") de anchura x 23,5 cm (9 1/4") de profundidad.
Peso	2,27 kg (5 lb).
Conductor de antena	UHF, S0239.
Semiconductores	3 transistores de efecto de campo, 45 transistores, 63 diodos, 6 circuitos integrados, 1 diodo emisor de luz bicolor.
Medidor (3 en 1)	Iluminado; indica la potencia de salida relativa, la intensidad de la señal recibida y relación de onda estacionaria (SWR).

## TRANSMISOR

Potencia de salida	AM, 4 W SSB, 12 W, PEP.
Modulación	Clase B de alto y bajo nivel, modulación por amplitud.
Distorsión por intermodulación	SSB: 3er orden, más de -25 dB. 5º orden, más de -35 dB.
Supresión de portadora SSB	55 dB.
Banda lateral indeseada	50 dB.
Respuesta de frecuencia	AM y SSB; 300 a 2500 Hz.
Impedancia de salida	50 ohmios, asimétrica.
Indicadores de salida	El medidor indica la potencia relativa de salida de RF y la relación de onda estacionaria (SWR). El LED de transmisión se ilumina en color rojo cuando el transmisor está funcionando.

## Sección II Especificaciones (cont.)

### RECEPTOR

Sensibilidad	SSB: 0,25 $\mu$ V para 10 dB (S+N)/N a más de 0,5 W de potencia de audio. AM: 0,5 $\mu$ V para 10 dB (S+N)/N a más de 0,5 W de potencia de audio.
Selectividad	AM: 6dB a 3 KHz, 50 dB a 9 KHz. SSB: 6 dB a 1,1 KHz, 60 dB a 2,3 KHz.
Rechazo de imagen	Más de 65 dB.
Frecuencia intermedia (FI)	AM: 7,8 MHz 1ª FI, 455 KHz 2ª FI. SSB: 7,8 MHz.
Rechazo de canal adyacente	60 dB AM y 70 dB SSB.
Control de ganancia de RF en AM y SSB	40 dB, ajustable para la recepción óptima de la señal.
Control automático de ganancia (AGC)	Menos de 10 dB de cambio en la salida de audio con entradas de 10 a 100.000 microvoltios.
Reducción de ruido de fondo	Ajustable; umbral menor que 0,25 $\mu$ V.
Limitador automático de ruido (ANL)	Conmutable.
Cancelador de ruido	Tipo RF, eficaz en AM y SSB.
Intervalo de bloqueo de voz	$\pm$ 2,5 KHz.
Potencia de salida de audio	4 W a 8 ohmios.
Respuesta de frecuencia	300 a 2500 Hz.
Altoparlante integrado	4 ohmios, redondo.
Altoparlante externo (no incluido)	8 ohmios; desactiva el altoparlante interno al estar conectado.

### SISTEMA DE ALTAVOZ

Potencia de salida	4 W a un altoparlante externo.
Altoparlante externo para sistema de altavoz (No incluido)	8 ohmios.

(ESPECIFICACIONES SUJETAS A CAMBIOS SIN AVISO PREVIO.)

## Sección III Instalación

### LUGAR

Antes de iniciar la instalación, determine dónde colocará el transmisor-receptor y el soporte del micrófono. Busque un lugar donde la unidad pueda operarse fácilmente y no interfiera con el conductor o los pasajeros del vehículo. En un automóvil, el transmisor-receptor por lo general se monta debajo del tablero, con el soporte del micrófono al lado.

### MONTAJE DE LA CONEXIÓN

El radio COBRA 148GTL se entrega con un soporte de montaje universal. Al montar el soporte y el radio en su automóvil, compruebe que el montaje sea resistente. También debe proveer una buena conexión eléctrica al chasis del vehículo. Siga estos pasos para montar el transmisor-receptor:

1. Después de determinar el lugar más práctico para montar el radio en el vehículo, sostenga el radio COBRA 148GTL con el soporte de montaje en la posición exacta deseada para el montaje. Si nada interfiere con el montaje en la posición deseada, quite los pernos de montaje. Antes de taladrar los agujeros, compruebe que nada interfiera con la instalación de los pernos de montaje.
2. Conecte la clavija del cable de la antena al receptáculo normal del panel trasero. La mayoría de las antenas de CB tiene un conector tipo PL-259, compatible con el receptáculo.
3. Conecte el cable rojo de alimentación de CC (con fusible) a un suministro de +13,8 VCC. Este cable sale del panel trasero. Al instalar la unidad en un automóvil, el suministro de +13,8 VCC por lo general se obtiene del contacto para accesorio del interruptor de encendido del vehículo. De esta manera se evita que la unidad quede encendida accidentalmente cuando el conductor no está en el vehículo, y también permite utilizar la unidad con el motor apagado. En la mayoría de los interruptores de encendido, encontrará el contacto para accesorios siguiendo el cable de energía del receptor de AM del vehículo.
4. Conecte el cable negro a un suministro de -13,8 VCC, que usualmente será el chasis del vehículo. Puede utilizar cualquier lugar práctico con buen contacto eléctrico (quite la pintura si es necesario).
5. Utilice los dos tornillos provistos para montar el soporte del micrófono a un lado del transmisor-receptor. Al montar la unidad en un automóvil, coloque el soporte debajo del tablero para que pueda acceder fácilmente al micrófono.



## Sección III Instalación (continuación)

### INTERFERENCIA POR RUIDO DEL ENCENDIDO

El uso de un receptor móvil con señales de baja intensidad por lo general es limitado por la presencia de ruido eléctrico. Al instalar la unidad en un automóvil, las principales fuentes de ruido son el generador y el sistema de encendido del vehículo. En la mayoría de las condiciones operativas, el nivel de intensidad de la señal es adecuado y el ruido de fondo no representa problemas graves. Además, al recibir señales de muy baja intensidad, el transmisor-receptor puede usarse con el motor del vehículo apagado. La unidad consume muy poca corriente y por lo tanto no descargará rápidamente el acumulador del vehículo.

Aunque el radio COBRA 148GTL tiene un limitador automático de ruido (ANL) y un cancelador de ruido (NB), en algunas instalaciones la interferencia generada por el sistema de encendido del vehículo puede impedir que se logren buenas comunicaciones. El ruido eléctrico puede ser provocado por varias fuentes. Son muchas las posibilidades y las diferencias entre un vehículo y otro requieren distintas soluciones para reducir el ruido. Consulte con un distribuidor de productos COBRA o con un técnico de radio bidireccional para obtener ayuda en la localización y corrección de la fuente de ruido intenso.

### ANTENA

Dado que la potencia máxima de salida permitida para el transmisor está limitada por la Comisión Federal de Comunicaciones de Estados Unidos (FCC), la antena es un factor importante que afecta la distancia de transmisión. Sólo un sistema de antena apropiado permitirá obtener la transferencia máxima de potencia de la línea de transmisión de 50 ohmios al elemento de radiación. En las instalaciones móviles (automóviles, camiones, barcos, etc.), debe utilizar un sistema de antena que no sea direccional. Una antena de látigo polarizada verticalmente, de cuarto de longitud de onda, ofrece el funcionamiento más fiable y el mayor alcance. Las antenas más cortas, con carga, son más atractivas, compactas y apropiadas para aplicaciones en las que no se requiere la mayor distancia de transmisión posible. Además, las antenas de látigo con carga no tienen los problemas de altura que se presentan con una antena de látigo de cuarto de longitud de onda.

Las antenas de látigo móviles utilizan el cuerpo metálico del vehículo como plano de tierra. Al montarse en una esquina del vehículo son ligeramente direccionales, en la dirección del cuerpo del vehículo. Sin embargo, el patrón de radiación es no direccional para todos los fines prácticos. Esta característica ligeramente direccional sólo se observará a grandes distancias. El transmisor-receptor incluye un conector de antena normal (tipo SO239) para permitir una conexión fácil a un cable normal con terminación PL 259.

Si el transmisor-receptor no está montado en una superficie metálica, es necesario tender un cable separado de puesta a tierra, de la unidad a una buena tierra eléctrica metálica del vehículo. Si instala el transmisor-receptor en un barco, no funcionará con la eficiencia máxima si no hay una placa de puesta a tierra, salvo que el barco tenga casco de acero.

Antes de instalar el transmisor-receptor en un barco, consulte con un distribuidor para obtener información adicional sobre sistemas apropiados de puesta a tierra y prevención de electrólisis entre los conectores en el casco y el agua.

## Sección III Instalación (continuación)

### AJUSTE DE LA ANTENA PARA OBTENER LA RELACIÓN ÓPTIMA ONDA ESTACIONARIA (SWR)

Dado que hay tanta variedad entre las antenas base y móviles, esta sección abarca exclusivamente los diversos tipos de antenas móviles ajustables. La longitud de la antena tiene una relación directa con la frecuencia del canal, por lo cual debe ajustarse para una resonancia óptima en los 40 canales del transmisor-receptor. El canal 1 requiere una antena más larga que el canal 40, debido a que tiene una frecuencia más baja.

Hay varios métodos para ajustar las antenas para una relación apropiada de onda estacionaria (SWR). Sin embargo, hemos elegido un método que consideramos óptimo:

#### A. Antenas con tornillos ajustables

1. Comience con la antena extendida y apriete el tornillo ligeramente, lo suficiente para que pueda golpear con suavidad la antena con el dedo para realizar los ajustes.
2. Seleccione el canal 21 en el radio COBRA 148GTL. Oprima el botón de transmisión (PTT) y golpee la antena suavemente para acortarla. El medidor de relación de onda estacionaria (SWR) mostrará una lectura más baja cada vez que golpee la antena. Si sigue reduciendo la longitud de la antena, observará que la lectura de relación de onda estacionaria (SWR) llegará a un valor mínimo y luego comenzará a aumentar de nuevo. Esto significa que ha rebasado el punto óptimo para el canal 21. Extienda un poco la antena y vuelva a seguir el procedimiento anterior.

Al llegar a la lectura más baja, cambie al canal 1 y luego al canal 40 y compare las lecturas de relación de onda estacionaria (SWR). Deben ser casi iguales.

#### B. Antenas que deben recortarse a la longitud apropiada

1. Siga el mismo procedimiento previamente descrito, pero ajuste la longitud cortando la antena en incrementos de unos 3 mm (1/8") hasta obtener un buen ajuste.
2. *Tenga cuidado de no cortar demasiado, ya que no podrá alargar la antena.*
3. Es fácil cortar la antena de látigo, haciendo una muesca en la circunferencia y luego rompiendo el pedazo con unas pinzas.

#### NOTA

**LE OBTIENE EL AJUSTE APROPIADO CUANDO LA RELACIÓN DE ONDA ESTACIONARIA (SWR) ES 1,5 O MENOR Y CUANDO SE OBTIENE LA MISMA LECTURA PARA LOS CANALES 1 Y 40.**

Si tiene dificultades para ajustar la antena, revise lo siguiente:

- A. Todas las puertas deben estar cerradas al ajustar la antena.
- B. Compruebe que la base de la antena esté puesta a tierra.
- C. Revise el tendido del cable coaxial (puede pensarse al tenderlo al interior del automóvil).

## Sección III Instalación (continuación)

- D. Coloque la antena en otro lugar del vehículo (tenga en cuenta el patrón de radiación que desea).
- E. ¿Está la antena perfectamente vertical?
- F. Pruebe en otro lugar de su vecindario. Manténgase lejos de objetos metálicos grandes (postes metálicos de teléfono o electricidad, cercas, etc.).

### NOTA

El radio COBRA 148GTL funcionará indefinidamente en un relación de onda estacionaria (SWR) de 2 a 1 y mantendrá una relación de onda estacionaria (SWR) de 20:1 durante un período máximo de 5 minutos en las condiciones operativas nominales.

### ALTOPARLANTE EXTERNO

El receptáculo para altoparlante externo (EXT SPK) del panel trasero se utiliza para escuchar las recepciones en forma remota. El altoparlante externo debe tener una impedancia de 8 ohmios y ser capaz de manejar una potencia mínima de 4 vatios. El altoparlante interno se desconecta automáticamente al conectar el altoparlante externo.

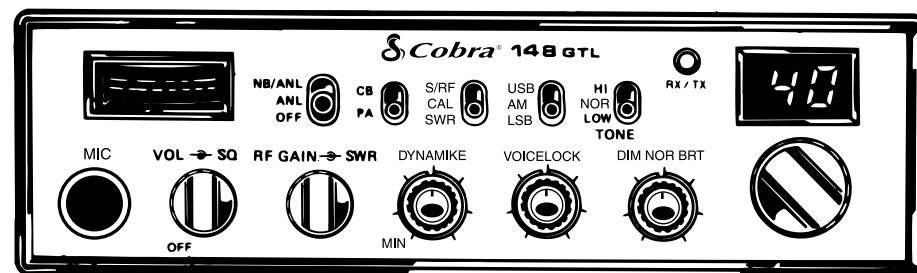
### SISTEMA DE ALTAVOZ

Para utilizar el transmisor-receptor como sistema de altavoz, conecte un altoparlante externo de 8 ohmios (4 vatios mínimo) al receptáculo PA SPK del panel trasero. Oriente el altoparlante lejos del micrófono, para evitar problemas de retroalimentación acústica. Al utilizar el sistema de altavoz con altos niveles de salida, es importante aislar o separar físicamente el micrófono y el altavoz.

## Sección IV Operación

### CONTROLES E INDICADORES

En el panel delantero del radio COBRA 148GTL hay 13 controles y tres indicadores.



### A. FUNCIONES DE CONTROL

1. **ENCENDIDO, APAGADO Y VOLUMEN (OFF/ON/VOLUME) (parte interior del control doble concéntrico).** Gire la perilla en sentido horario para encender la unidad y ajustar el volumen. Durante la operación normal en banda ciudadana (CB), el control de volumen se usa para ajustar el nivel de salida en el altoparlante del transmisor-receptor o en el altoparlante externo, si se utiliza.
2. **REDUCCIÓN DE RUIDO DE FONDO (SQUELCH) (parte exterior del control doble concéntrico).** Este control se emplea para eliminar el ruido de fondo en el receptor cuando no se recibe ninguna señal. Para lograr la mayor sensibilidad del receptor, el control debe ajustarse justo en el punto donde se elimina el ruido de fondo del receptor o el ruido de fondo ambiental. Gire el control totalmente en sentido antihorario y luego lentamente en sentido horario hasta que desaparezca el ruido del receptor. Toda señal que se reciba debe ser más fuerte que el promedio del ruido recibido. Cuanto más gire en control en sentido horario, más alto será el umbral que debe superar la señal para que pueda escucharse. Al girar el control totalmente en sentido horario, únicamente se escuchan señales fuertes.
3. **CONTROL DE GANANCIA DE RF (RF GAIN CONTROL) (parte interior del control doble concéntrico).** Se usa para reducir la ganancia del amplificador de radiofrecuencia (RF) en condiciones de señales fuertes.

## Sección IV Operación (continuación)

4. **CONTROL DE CALIBRACIÓN DE RELACIÓN DE ONDA ESTACIONARIA (SWR CAL CONTROL) (parte exterior del control doble concéntrico).** Para que usted obtenga la máxima potencia radiada y el mayor alcance, es importante que la antena esté en buen estado, bien ajustada y que corresponda al transmisor-receptor. El medido integrado de relación de onda estacionaria (SWR) le permite medir fácilmente el estado de la antena. Para utilizar esta función, conecta la antena al conector de salida de antena del transmisor-receptor. Seleccione un canal cerca del punto medio de la banda (por ejemplo, el canal 21) o el canal que piensa utilizar con mayor frecuencia. Encienda la unidad y mueva el interruptor de función de medidor a la posición CAL. Mantenga oprimido el botón de transmisión del micrófono y use el control SWR CAL para ajustar el medidor de manera que aparezca la posición de calibración en la carátula del medidor. Después, sin soltar el botón del micrófono, mueva el interruptor de función del medidor a la posición SWR y lea la relación de onda estacionaria (SWR) que se indica. Cuanto más bajo sea el valor, mejor. Un valor de 1 es ideal. Por lo general son aceptables las lecturas de hasta 3, pero un valor superior indica que está perdiendo potencia radiada y que es recomendable ajustar la antena.
5. **CONTROL DE GANANCIA DEL MICRÓFONO (DYNAMIKE).** Ajusta la ganancia del micrófono en las modalidades de transmisión y sistema de altavoz (PA). Controla la ganancia en la medida que se obtiene todo el poder de conversación a varios centímetros de distancia del micrófono. En la modalidad de sistema de altavoz (PA), funciona como control de volumen.
6. **BLOQUEO DE VOZ (VOICE LOCK).** Permite la variación de las frecuencias operativas del receptor por encima y debajo de la frecuencia asignada. Aunque este control ha sido diseñado principalmente para sintonizar señales de banda lateral única (SSB), también puede emplearse para optimizar las señales de AM, tal como se describe en los procedimientos operativos.
7. **INTERRUPTOR DE CONTROL DE BRILLO (DIM/NOR/BRT).** Controla la brillantez del medidor y del indicador de canales para que obtenga la intensidad óptima durante el día y la noche.
8. **SELECTOR DE CANAL.** Este control selecciona cualquiera de los 40 canales de banda ciudadana. En canal seleccionado aparece en la pantalla, directamente encima de la perilla del selector de canal. El canal 9 ha sido reservado por la FCC para comunicaciones de emergencia relacionadas con la seguridad o vida de las personas o la protección de bienes. El canal 9 también puede usarse para ayudar a automovilistas.
9. **INTERRUPTOR DE LIMITADOR AUTOMÁTICO DE RUIDO Y CANCELACIÓN DE RUIDO (OFF/ANL/NB + ANL).** Solamente, en la posición ANL, se activa el limitador automático de ruido de los circuitos de audio. Al mover el interruptor a la posición ANL + NB, también se activa el cancelador de ruido de radiofrecuencia (RF). El cancelador de ruido de radiofrecuencia es muy eficaz para eliminar ruidos pulsantes repetitivos, como la interferencia del sistema de encendido.

## Sección IV Operación (continuación)

10. **INTERRUPTOR DE SISTEMA DE ALTAVOZ Y BANDA CIUDADANA (PA/CB).** Selecciona la modalidad operativa. Cuando este selector está en la posición CB (banda ciudadana), se desactiva el sistema de altavoz (PA) y la unidad transmite y recibe utilizando el altoparlante conectado. En la modalidad de sistema de altavoz (PA), las transmisiones de banda ciudadana recibidas se oyen en el altoparlante del sistema de altavoz. De esta manera, usted podrá oír los mensajes aunque esté fuera del vehículo. Para utilizar la función de sistema de altavoz (PA), se requiere un altoparlante con impedancia de bobina de voz de 8 ohmios y capacidad de potencia mínima de 3 vatios. Este altoparlante debe conectarse al receptáculo PA SPKR de la parte trasera del transmisor-receptor. Si utilizará el sistema de altavoz principalmente al aire libre, se recomienda el uso de un altoparlante de tipo bocina a prueba de la intemperie. La durabilidad de este tipo de altoparlante, aunada a su eficiencia inherente, le dará resultados más que adecuados al combinarlo con el alto nivel de salida sonora del radio COBRA 148GTL. Cuando el altoparlante del sistema de altavoz (PA) está conectado en la forma descrita, asegure que el micrófono y el altoparlante estén separados. Si el altoparlante está demasiado cerca del micrófono, se presentarán problemas de retroalimentación acústica al utilizar el sistema de altavoz a alto volumen. Los altoparlantes direccionales para uso al aire libre reducen los requisitos de aislamiento. Tal vez tenga que hacer algunas pruebas para determinar el aislamiento mínimo que se requiere al utilizar el sistema de altavoz a un nivel sonoro determinado.

### NOTA

**El volumen del sistema de altavoz (PA) se controla girando la perilla DYNAMIKE al nivel deseado.**

11. **INTERRUPTOR INTENSIDAD DE SEÑAL RECIBIDA, CALIBRACIÓN Y RELACIÓN DE ONDA ESTACIONARIA (S-RF/CAL/SWR).** Cuando el interruptor está en la posición "S-RF", el medidor se mueve proporcionalmente a la intensidad de la señal recibida. Durante la transmisión, el medidor indica la potencia relativa de salida de radiofrecuencia (RF).  
  
En la posición "CAL", el medidor de relación de onda estacionaria puede calibrarse ajustando el control "SWR" a la marca "CAL" de la carátula del medidor.  
  
En la posición "SWR", se mide la relación de onda estacionaria.
12. **INTERRUPTOR DE MODALIDAD (LSB/AM/USB).** Este interruptor se utiliza para seleccionar la modalidad operativa: AM, LSB o USB. Normalmente se emplea la modalidad AM, salvo que la estación con la que desea comunicarse esté equipada con banda lateral única (SSB). El selector de modalidad cambia al mismo tiempo la modalidad operativa del transmisor y del receptor. Consulte la sección "Recepción de señales SSB" para obtener más información sobre el uso de la banda lateral única.
13. **INTERRUPTOR DE TONO (TONE - HI/NOR/LOW).** Este interruptor se utiliza para ajustar la respuesta sonora conforme a las preferencias del operador. Los sonidos graves aumentan cuando el interruptor está en la posición "LOW" y los sonidos agudos se incrementan cuando el interruptor está en la posición "HI".

## Sección IV Operación (continuación)

### B. FUNCIONES DE LOS INDICADORES

1. **MEDIDOR DE INTENSIDAD DE SEÑAL.** Se mueve proporcionalmente a la intensidad de la señal recibida.
2. **MEDIDOR DE RADIOFRECUENCIA (RF).** Se mueve proporcionalmente a la potencia de salida de radiofrecuencia.
3. **MEDIDOR DE RELACIÓN DE ONDA ESTACIONARIA (SWR).** Se mueve proporcionalmente a la relación entre el voltaje de la onda estacionaria y la salida de radiofrecuencia. Se utiliza para ajustar la longitud de la antena y para vigilar la calidad del cable coaxial y de las conexiones eléctricas de radiofrecuencia. Si algunos de estos elementos tiene degradación como consecuencia de la humedad, la sal, el rocío, la vibración o la corrosión, aumentará la lectura del medidor SWR para indicar la presencia de un problema.

Para calibrar, mueva el interruptor a la posición "CAL", transmita en la modalidad AM oprimiendo el botón de transmisión (PTT) del micrófono, ajuste el control SWR a la marca "CAL" del medidor y luego mueva el interruptor a la posición "SWR" para medir la relación de onda estacionaria (nota: el radio de banda ciudadana debe estar en la modalidad AM).

4. **INDICADOR DE CANAL.** El número en la pantalla indica el canal seleccionado.
5. **INDICADOR DE RECEPCIÓN Y TRANSMISIÓN.** El indicador de recepción y transmisión se encuentra junto al indicador de canal. El indicador se ilumina en color verde durante la recepción y en color rojo durante la transmisión.
6. **MICRÓFONO CON BOTÓN DE TRANSMISIÓN.** El receptor y el transmisor se controlan con el botón de transmisión (PTT) del micrófono. Oprima el botón para activar el transmisor; suelte el botón para recibir. Al transmitir, sostenga el micrófono a unos cinco centímetros (dos pulgadas) de la boca y hable normalmente. El radio incluye un micrófono dinámico de baja impedancia (500 ohmios). Consulte la sección "MICRÓFONOS ALTERNATIVOS E INSTALACIÓN" para conocer la instrucciones de instalación de otros micrófono.

### PROCEDIMIENTO OPERATIVO PARA RECIBIR

1. Compruebe que la fuente de poder, el micrófono y la antena estén conectados correctamente antes de continuar.
2. Mueva el interruptor PA-CB a la posición CB y encienda la unidad girando en sentido horario el control VOL del radio COBRA 148GTL.
3. Ajuste el volumen al nivel deseado.
4. Mueva el interruptor MODE a la modalidad deseada.
5. Gire el control de ganancia de radiofrecuencia (RF) totalmente en sentido horario para tener la mayor ganancia de radiofrecuencia.

## Sección IV Operación (continuación)

6. Escuche el ruido de fondo en el altoparlante. Gire el control de ruido de fondo (SQUELCH) lentamente en sentido horario justo hasta que desaparezca el ruido (no debe haber señal presente). Deje el control en esta posición. La reducción de ruido de fondo (SQUELCH) ha sido ajustada en forma correcta. El receptor permanecerá en silencio hasta que reciba una señal. No gire demasiado el control, ya que esto podría provocar que no escuche algunas de las señales débiles.
7. Mueve el selector de canal (CHANNEL) al canal deseado.
8. Ajuste el control de bloqueo de voz (VOICE LOCK) para que las señales SSB sean más claras o para optimizar las señales de AM.

### PROCEDIMIENTO OPERATIVO PARA TRANSMITIR

1. Seleccione el canal deseado para la transmisión.
2. Gire el control DYNAMIKE totalmente el sentido horario.
3. Si el canal está libre, oprima el botón de transmisión del micrófono y hable normalmente.

### RECEPCIÓN DE SEÑALES SSB

En la banda ciudadana se utilizan tres tipos de señales para la comunicación: AM, USB y LSB. Cuando el interruptor de modalidad (MODE) de la unidad está en la posición AM, únicamente se detectan señales normales de portadora completa de doble banda lateral. Las señales de banda lateral única (SSB) se reconocerán en la modalidad AM por su característico sonido de "pato Donald" y la incapacidad del detector de AM para generar salidas inteligibles. Las modalidades USB y LSB detectan la banda lateral superior e inferior, respectivamente, y las señales normales de AM.

La recepción SSB difiere de la recepción AM normal en que el receptor SSB no requiere una portadora o una banda lateral opuesta para producir una señal inteligible. Una señal transmitida con banda lateral única consiste sólo en la banda lateral superior o inferior y no se transmite portadora. La eliminación de la portadora de la señal de AM sirve para eliminar la principal causa de silbidos y tonos en los canales, que provocan que incluso las señales AM bastante fuertes sean incomprensibles. Además, la banda lateral única sólo ocupa la mitad de un canal de AM, de manera que caben dos conversaciones SSB en cada canal, expandiendo los 40 canales AM a 80 canales SSB. La reducción en el espacio requerido en el canal también es útil para la recepción, ya que sólo se recibe la mitad del ruido y la interferencia con el 100 por ciento de la señal SSB.

Una señal SSB sólo puede recibirse cuando el receptor está funcionando en la misma modalidad. Dicho de otra manera, la señal de banda lateral superior (USB) sólo será inteligible si el receptor funciona en la modalidad USB.

## Sección IV Operación (continuación)

Si se escucha una señal de banda lateral inferior (LSB) cuando el receptor está en la modalidad USB, la señal no será inteligible, no obstante cuántos ajustes se hagan a la sintonización. Es más fácil comprender por qué sucede esto si considera que al aplicar la modulación al micrófono del transmisor en la modalidad USB se incrementa la frecuencia de salida del transmisor, mientras que la frecuencia de salida del transmisor se reduce en la modalidad LSB. Al escuchar en el receptor con el interruptor de modalidad (MODE) en la posición correcta (USB o LSB), se obtiene una reproducción fiel de un solo tono de modulación. Si aumenta la frecuencia del tono (por ejemplo, un silbido de baja frecuencia o de alta frecuencia) escuchará el aumento en el tono de salida del receptor. Si selecciona la modalidad incorrecta, la aplicación de un aumento en el tono de un silbido en el transmisor causará una reducción en el tono resultante en el receptor.

Por lo tanto, al utilizar una voz en lugar de un silbido o tono, en la modalidad de recepción apropiada la voz se recibirá de manera correcta, mientras que en la modalidad incorrecta la voz se invertirá y el control de bloqueo de voz no podrá hacerla inteligible. Al escuchar una transmisión de AM, se escucha una banda lateral correcta en cualquiera de las modalidades, ya que se recibe tanto la banda lateral superior como la inferior.

Después de seleccionar la modalidad SSB deseada, tal vez sea necesario ajustar la frecuencia para que la señal recibida sea inteligible. El control de bloqueo de voz (VOICE LOCK) permite al operador variar la frecuencia por encima y por debajo de la frecuencia central exacta de la señal recibida. Si el sonido de la señal recibida es demasiado aguda o grave, ajuste el funcionamiento del bloqueo de voz (VOICE LOCK). Piense en esta función como si controlara la velocidad de un fonógrafo. Cuando la velocidad es demasiado alta, las voces suenan agudas; si es demasiado baja, las voces suenan graves. Además, sólo hay una velocidad correcta a la cual un disco producirá el sonido exacto que se grabó. Si el disco se reproduce en una tornamesa que gira en sentido incorrecto (banda lateral opuesta), será imposible producir un sonido inteligible con el control de velocidad (bloqueo de voz).

Una señal de AM recibida al escuchar en una de las modalidades SSB producirá un tono constante (portadora) además de la inteligencia, salvo que el receptor SSB esté sintonizado en la misma frecuencia por el control de bloqueo de voz. Por cuestiones de sencillez, es recomendable utilizar la modalidad de AM para oír señales de AM.

## Sección IV Operación (continuación)

### MICRÓFONOS ALTERNATIVOS E INSTALACIÓN

Para obtener los mejores resultados, el usuario debe seleccionar un micrófono dinámico de baja impedancia o un micrófono transistorizado. Los micrófonos transistorizados tienen una característica de baja impedancia de salida. Los micrófonos deben tener un cable de cuatro hilos. Dos de los hilos son el conductor de audio y su hilo blindado. El tercer hilo es para el control de recepción y el cuarto para el control de transmisión.

El micrófono debe proveer las funciones que se ilustran en el siguiente diagrama esquemático.

#### CABLE DE MICRÓFONO DE 4 HILOS

Número de pata	Hilo del cable del micrófono
1	Puesta a tierra
2	Hilo de audio
3	Control de transmisión
4	Control de recepción

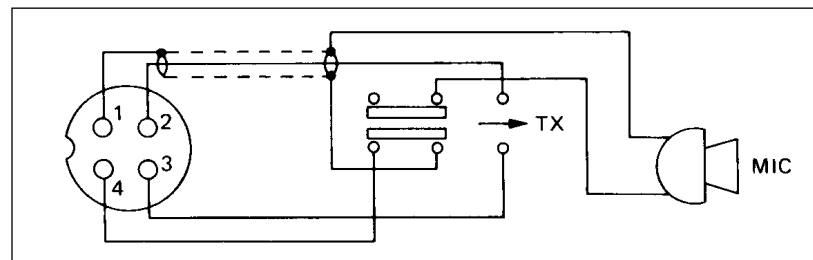


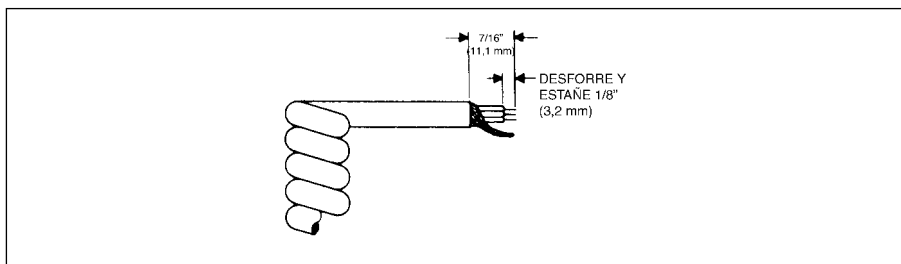
Figura 1. Diagrama esquemático del micrófono del radio Cobra 148GTL:

Si el micrófono que usará tiene hilos de conexión previamente cortados, deberán modificarse de la siguiente manera:

1. Corte los hilos de conexión de manera que se extiendan 11 mm (7/16") más allá de la camisa de plástico aislante del cable del micrófono (vea la figura 2).
2. Todos los hilos de conexión deben cortarse a la misma longitud. Desforre 2 mm (1/8") de los extremos de los hilos de conexión y estañe el hilo metálico expuesto.

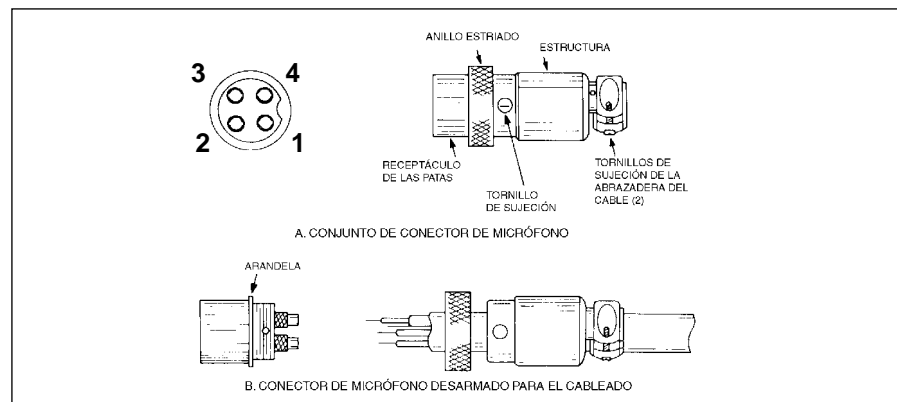
Antes de comenzar con el cableado, lea detenidamente la información del circuito y el cableado que se incluye con el micrófono seleccionado. Use el calor mínimo al soldar las conexiones. La parte no aislada de los hilos de conexión debe ser lo más corta posible, para evitar cortocircuitos al armar la clavija del micrófono.

## Sección IV Operación (continuación)



**Figura 2.** Preparación del cable del micrófono.

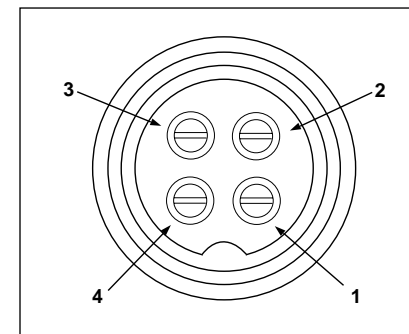
Para conectar el cable del micrófono a la clavija provista, siga estos pasos:



**Figura 3.** Cableado de la clavija del micrófono.

1. Quite el tornillo de sujeción.
2. Desenrosque la estructura del cuerpo del receptáculo de las patas.
3. Afloje los dos tornillos de sujeción de la abrazadera del cable.
4. Introduzca el cable del micrófono en la estructura, el anillo y la arandela, como se muestra en la figura 3B.
5. Ahora tiene que soldar los hilos metálicos a las patas, tal como se indica en las tablas de cableado. Si dispone de un tornillo de banco o herramienta de sujeción, utilícela para sostener el cuerpo del receptáculo de las patas durante la operación de soldado, para que pueda utilizar ambas manos en el soldado. Si no dispone de un tornillo de banco o herramienta de sujeción, el cuerpo del receptáculo de las patas puede mantenerse fijo introduciéndolo en el receptáculo del micrófono, localizado en el panel delantero. Los números de las patas de la clavija del micrófono se presentan en la figura 4, vistas desde la parte trasera de la clavija. Antes de soldar los hilos de conexión a las patas, estañe el receptáculo de cada pata de la clavija.

## Sección IV Operación (continuación)



**Figura 4.** Números de pata de la clavija del micrófono, visto desde la parte trasero del receptáculo de las patas.

Compruebe que la estructura y el anillo de la figura 3 estén hacia atrás, sobre el cable del micrófono, antes de comenzar a soldar. Si la arandela no está cautiva en el cuerpo del receptáculo de las patas, compruebe que esté colocada en la porción roscada del cuerpo del receptáculo de las patas antes de soldar.

Si utiliza el receptáculo del micrófono para sostener el receptáculo de las patas durante la operación de soldado, obtendrá los mejores resultados si suelda primeros las conexiones de las patas 1 y 3 y luego las conexiones de las patas 2 y 4. Utilice la menor cantidad posible de soldadura y evite la acumulación excesiva de soldadura en las patas, ya que esto podría ocasionar un cortocircuito entre la pata y la estructura de la clavija del micrófono.

6. Al terminar de soldar las conexiones de las patas del micrófono, mueva el anillo y la estructura hacia delante y enrosque la estructura en la parte roscada del cuerpo del receptáculo de las patas. Tome nota de la posición del orificio para el tornillo en la estructura de la clavija, respecto del orificio roscado del cuerpo del receptáculo de las patas. Cuando la estructura esté completamente roscada en el cuerpo del receptáculo de las patas, tal vez requiera una fracción de giro en sentido horario o antihorario para alinea el orificio del tornillo con el orificio roscado del cuerpo del receptáculo de las patas. Una vez alineados los dos orificios, se enrosca el tornillo para sujetar la estructura al cuerpo del receptáculo de las patas.
7. Ahora debe apretar los dos tornillos de sujeción de la abrazadera para sujetar la estructura al cordón del micrófono. Si siguió al pie de la letra las instrucciones de corte, la abrazadera del cable debe quedar firmemente sujeta a la camisa aislante del cable del micrófono.
8. Una vez terminado el cableado de la clavija del micrófono, conecte y sujete el micrófono en el transmisor-receptor.

## Sección V Mantenimiento y ajustes

El transmisor-receptor COBRA 148GTL ha sido diseñado de manera específica para el entorno que usualmente está presente en instalaciones móviles. El radio únicamente tiene circuitos de estado sólido y es una unidad ligera de alta fiabilidad. Sin embargo, si llegase a ocurrir una avería, únicamente debe reemplazar las piezas por otras idénticas. No utilice otras piezas de repuesto. Consulte el diagrama esquemático y la lista de piezas.

### NOTA

**Si no obtiene el rendimiento descrito en las secciones OPERACIÓN y MANTENIMIENTO Y AJUSTES, revise las instrucciones operativas para asegurar que se hayan seguido los procedimientos correctos. Si el problema persiste, comuníquese con un distribuidor de su localidad.**

## Sección VI Apéndice

Los operadores de radios de la banda ciudadana han adoptado el “código 10” para las preguntas y respuestas más usuales. Esto permite una comunicación más rápida y mayor comprensión en áreas ruidosas. En la siguiente tabla se enumeran varios de los códigos más usuales y su significado:

### CÓDIGO 10

Código	Significado	Código	Significado
10-1	Mala recepción	10-34	Problemas en esta estación
10-2	Buena recepción	10-35	Información confidencial
10-3	Fin de la transmisión	10-36	La hora correcta es
10-4	Correcto, mensaje recibido	10-37	Se requiere una grúa en
10-5	Reenviar mensaje	10-38	Se requiere una ambulancia en
10-6	Ocupado, espere	10-39	Su mensaje ha sido entregado
10-7	Fuera de servicio, fuera del aire	10-41	Por favor, cambie al canal
10-8	En servicio, listo para recibir llamadas	10-42	Accidente de tráfico en
10-9	Repetir mensaje	10-43	Embotellamiento de tráfico en
10-10	Transmisión finalizada, esperando	10-44	Tengo un mensaje para usted
10-11	Habla demasiado rápido	10-45	Todas las unidades cercanas, favor de reportarse
10-12	Visitantes presentes	10-50	Interrupción en canal
10-13	Informe sobre las condiciones del clima o de los caminos	10-60	¿Cuál es el siguiente número de mensaje?
10-16	Efectuar recolección en	10-62	No comprendo, use el teléfono
10-17	Asunto urgente	10-63	Neto dirigido a
10-18	¿Algo para nosotros?	10-64	Neto libre
10-19	Nada para usted, regrese a la base	10-65	En espera de su siguiente mensaje o tarea
10-20	Mi posición es	10-67	Todas las unidades, confirmen
10-21	Llame por teléfono	10-70	Incendio en
10-22	Preséntese en persona con	10-71	Continúe con la transmisión en secuencia
10-23	Espere	10-77	Contacto negativo
10-24	Última tarea concluida	10-81	Reserve habitación de hotel para
10-25	Puede comunicarse con	10-82	Reserve habitación para
10-26	Haga caso omiso de la última información	10-84	Mi número telefónico es
10-27	Cambiaré al canal	10-85	Mi dirección es
10-28	Identifique su estación	10-91	Hable más cerca del micrófono
10-29	Ha transcurrido el tiempo de contacto	10-93	Compruebe mi frecuencia en este canal
10-30	No cumple las reglas de la FCC	10-94	Por favor, proporcione un recuento largo
10-32	Efectuaré una revisión de su radio	10-99	Misión cumplida, todas las unidades seguras
10-33	TRÁFICO DE EMERGENCIA	10-200	Se requiere la policía en

## Sección VI Apéndice (continuación)

### REGLAS QUE DEBE OBEDECER

1. Las conversaciones con otras estaciones no deben durar más de cinco minutos sin que haya una pausa de un minuto o más para permitir que otras personas utilicen el canal.
2. No saque del aire a otras personas utilizando una potencia de transmisión amplificada de manera ilegal o antenas de altura ilegal.
3. No puede utilizar la banda ciudadana para promover actividades ilegales.
4. No se permite el uso de palabras soeces.
5. No puede transmitir música en la banda ciudadana.
6. No puede emplear la banda ciudadana para vender mercancías o servicios profesionales.

### APLICACIONES DEL RADIO CB

- Advertir sobre de problemas de tráfico.
- Proporcionar información sobre el clima y los caminos.
- Proveer ayuda rápidamente en casos de emergencia o averías.
- Sugerir buenos lugares para comer y dormir.
- Hacer que los viajes largos sean más interesantes y ayudarlo a mantenerse despierto.
- Mantener un contacto directo con su oficina u hogar.
- Hacer amigos mientras viaja.
- Proveer "información local" para llegar a su destino.
- Ayudar a los oficiales de policía informando de conductores ebrios e imprudentes.

## Sección VI Apéndice (continuación)

### UTILICE EL CANAL 9 ÚNICAMENTE PARA MENSAJES DE EMERGENCIA

La Comisión Federal de Comunicaciones de Estados Unidos (FCC) ofrece los siguientes ejemplos de los tipos de comunicación permitidos y prohibidos en el canal 9. Recuerde que estos ejemplos son únicamente pautas y no son exhaustivos:

Permitido	Ejemplo de mensaje
Sí	"Tornado avistado a diez kilómetros (6 millas) al norte del pueblo."
No	"Éste es el puesto de observación número 10. No se ha avistado ningún tornado."
Sí	"Me he quedado sin combustible en la carretera 95."
No	"Me he quedado sin combustible en la entrada de la cochera."
Sí	Ha ocurrido un choque de cuatro vehículos en la salida 10 de la circunvalar. Envíen a la policía y una ambulancia."
No	"El tráfico avanza con fluidez por la circunvalar."
Sí	"Base a unidad 1, la Oficina Meteorológica ha emitido un aviso de tormenta. Traigan el velero a puerto."
No	"Atención, todos los conductores. La Oficina Meteorológica ha informado que mañana habrá entre 10 a 15 centímetros (4 a 6 pulgadas) de nieve."
Sí	"Hay un incendio en el edificio que está en la esquina de la Calle 6 y la Calle Main."
No	"Habla la patrulla número 3 de vigilancia del Día de Brujas. Todo está en calma."